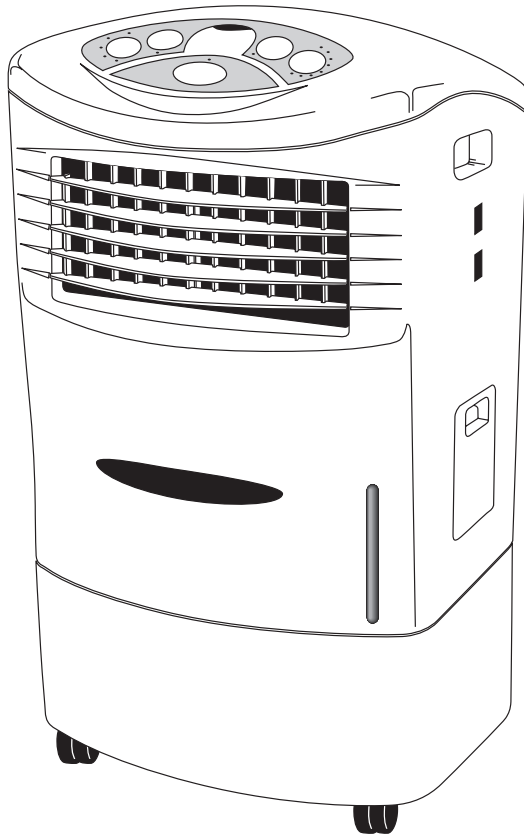


# Dimplex



## **Mobile Evaporative Cooler** EVA-20

*Please read this instruction manual before Operating and keep safe for future reference.*



---

---

# CONTENTS

---

	<b>Page</b>
Safety Instructions . . . . .	2
Important Product Information . . . . .	2
Parts Description . . . . .	3
Control Panel . . . . .	3
Operating Instructions . . . . .	3
For Room Cooling . . . . .	4
Extra Humidification . . . . .	4
Louvers Operation . . . . .	5
Timer Operation . . . . .	5
Maintenance . . . . .	5
Specifications . . . . .	5
Warranty . . . . .	6

---

---

# INTRODUCTION

---

Thank you for choosing a Dimplex evaporative cooler. This manual contains information, regulations and warnings which are of fundamental importance if the appliance is to be installed correctly and the highest performance, in the safest possible conditions is to be obtained. We suggest that you read the manual carefully before installing or starting up the appliance.

These new Dimplex appliances represent the most highly developed evaporative coolers available today.

---

---

# SAFTEY INSTRUCTIONS

---

1. Read all Instructions.
2. Disconnect the power plug before dismantling, assembling or before cleaning.
3. Avoid touching mobile parts of the fan.
4. Be sure fan is on dry and even surface.
5. Never insert fingers, pencils or any other objects through the guards whenever the power plug is connected, especially while running.
6. The appliance is not intended for use by young children or infirm persons without supervision.
7. Young children or infirm persons should be supervised to ensure that they do not play with the appliance.
8. Do not use the appliance for any other purpose than its intended use.
9. When the power cord is damaged, it must be replaced by the manufacturer or its service agent or a similarly qualified person in order to avoid a hazard.
10. Do not use your appliance with an extension cord unless it has been checked and tested by a qualified electrician or electrical supplier.
11. Return to Hagemeyer or authorised service agent.

---

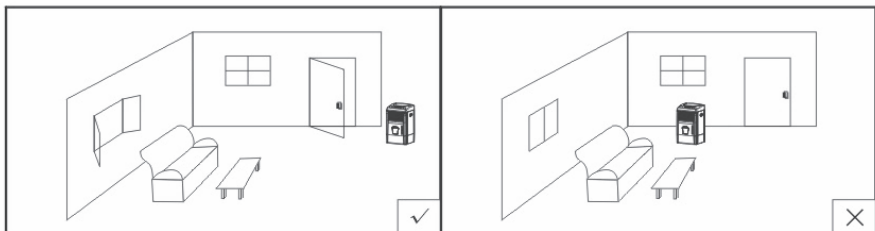
---

# IMPORTANT PRODUCT INFORMATION

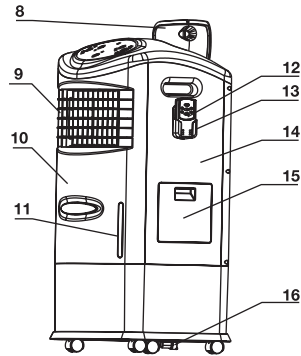
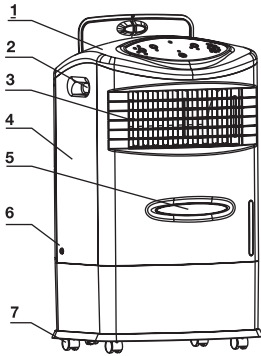
---

Congratulations on your purchase of this versatile product, which combines a room cooler, humidifier and air cleaner. To get the best cooling effect from your product please read these instructions carefully.

For the best performance of your Evaporative Cooler it should be filled with water, and ice if available, and positioned in a location that will create a 'flow through' air effect. The greatest cooling effect will be felt if the unit is operated in a partly opened doorway or window with the cooled air directed into the room. It is also important to have a door or window partly opened away from the air cooler, in order to create the 'flow through' effect. If this arrangement cannot be met the Evaporative Cooling System will be less efficient.

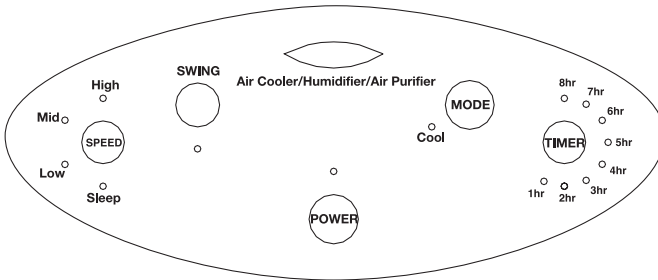


# PARTS DESCRIPTION



- |                      |                      |                          |
|----------------------|----------------------|--------------------------|
| 1 Top cover          | 7 Castors            | 12. Remote control       |
| 2 Handle             | 8 Top cover          | 13 Remote control holder |
| 3 Horizontal louvers | 9 Air vent           | 14 Right side            |
| 4 Left Side          | 10 Front cover       | 15 Water pouring cover   |
| 5 Dimplex logo       | 11 Water level gauge | 16 Drainage              |
| 6 Power cord hole    |                      |                          |

# CONTROL PANEL



# OPERATING INSTRUCTIONS

- Choose a suitable location for your Evaporative Cooler; please refer to the Important Product Information for details.
- Your product may be operated by the manual controls located on the unit or by the remote control.

---

---

## FOR ROOM COOLING

---

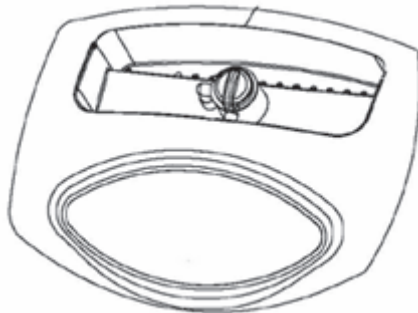
- Turn the product OFF at the MAINS SWITCH and remove the plug from the mains socket.
- Open the top cover and pour clean water into tank. Additionally, if required, add some ice cubes. Then connect to the power supply and turn on the MAINS SWITCH.
- Press the POWER button and the fan will start at medium speed, after a few seconds, it will switch to LOW speed.
- To turn the product OFF press the POWER button again. If you do not intend to use the product for some time empty the water tank.
- Press the SPEED button to increase or decrease the speed.
- Press the MODE button to select the COOL MODE, indicated by the LED. The full effect of this mode will begin after about 3 minutes.
- Press the Sleep Function with indicator on, it will run with a cycle 5 seconds high, 5 seconds medium and 5 seconds low and stop for 4 seconds and it will repeat the same cycle again.
- Once all the water in the tank has been used turn the product OFF and refill the water tank.
- To empty the water tank turn your product off at the POWER button and MAINS SWITCH. Carefully pull the tank from the main body and dispose of the water. Refit the tank correctly or your evaporative cooler will not work correctly.

---

---

## EXTRA HUMIDIFICATION

---



- Humidifier located under the top cover.
- Turn the humidifier anti-clockwise for additional humidification to low and high humidification. Turn clockwise to switch off this function.

---

---

## LOUVERS OPERATION

---

- Press the SWING button to start the louvers moving from side to side. This will improve the distribution of the cooled air within the room. To stop the louvers press the SWING button again.
- You can change the air direction (up or down) by manually adjusting the horizontal louvers.

---

---

## TIMER OPERATION

---

- The Timer can be used to switch the product off after a selected number of hours.
- Select the desired operating mode.
- Press the TIMER button once and the product will switch off after 1 hour. Press the button again for 2 hours, again for 3 hours etc. The maximum timer setting is 8 hours.
- To cancel the Timer setting press the TIMER button again until all the timer indicators are not lit.

---

---

## MAINTENANCE

---

- Before you clean the appliance, switch the product off, remove the plug from the power socket and wait until the product has cooled down.
- Use a damp cloth to clean the product housing.
- Do not use water, detergents, abrasive cleaning liquids, or chemical agents (Alcohol, Gasoline etc...), to clean the appliance.
- Store in the original packaging in a dry, dust free area during the off-season.

---

---

## SPECIFICATIONS

---

Model No.	EVA-20
Voltage	230/240
Frequency	50Hz
Wattage	200W Cooling Mode
Net Weight	12.3KG