

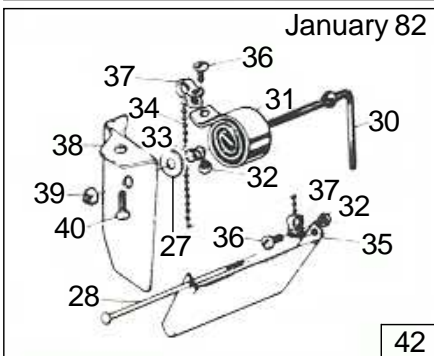
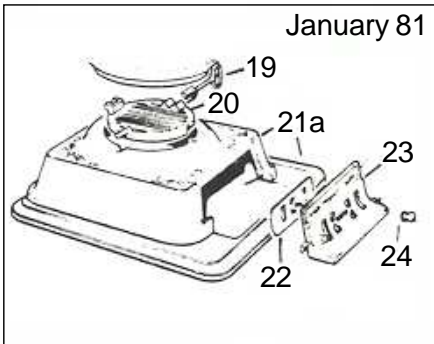
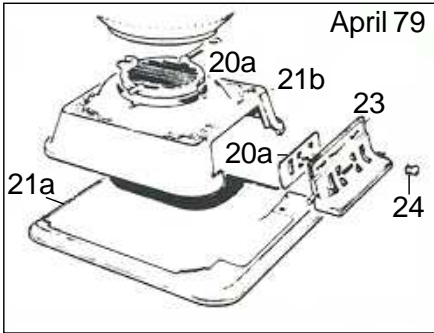
Masport®

POT BELLY STOVES

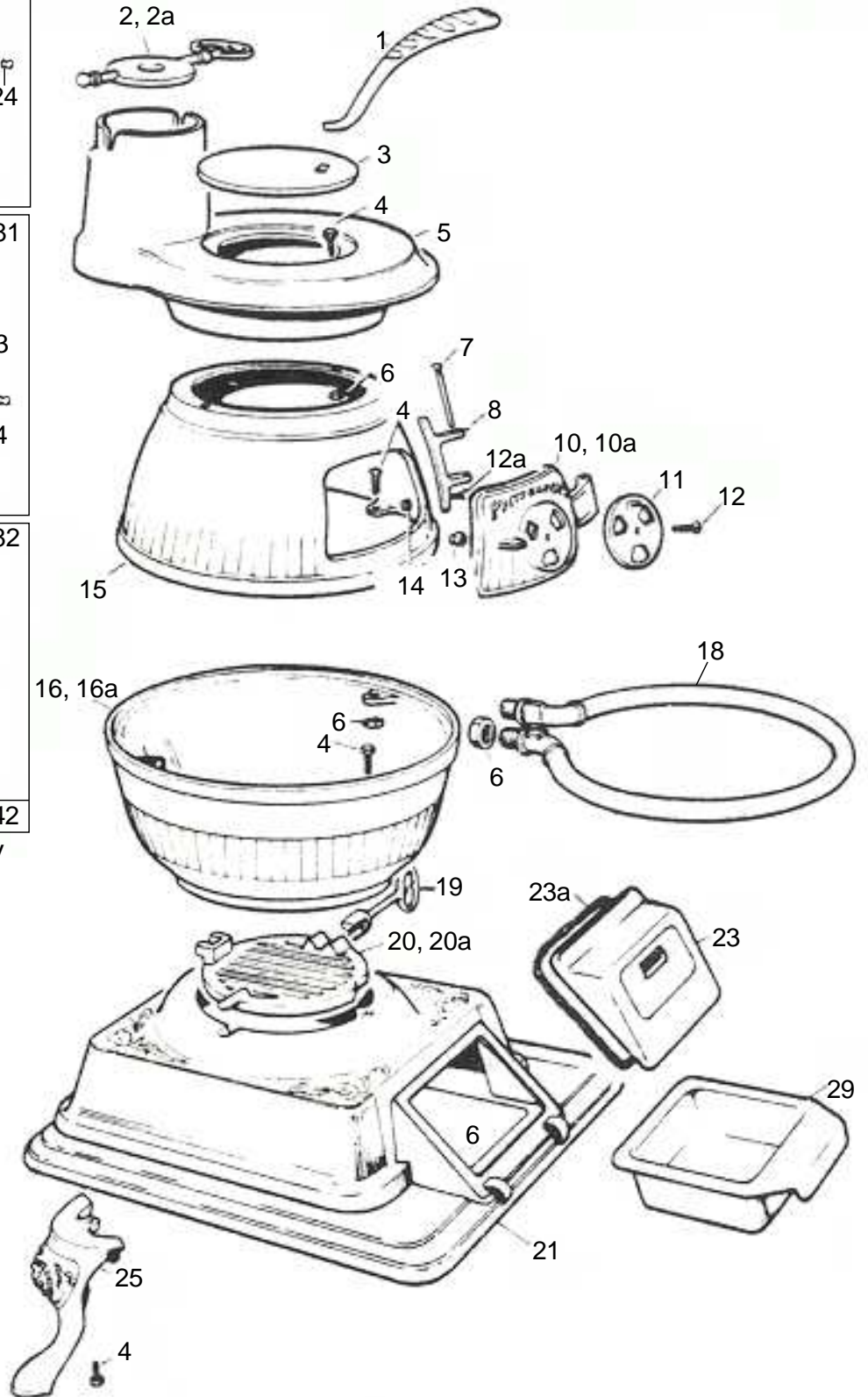
PITTSBURGH

| | | NZ | AUST | |
|--------------------|---|--------|------------|------------------|
| Part Number | Pittsburgh | 984920 | 984920 | Page 2 |
| Flues | Flue Kit - 120mm Dia 120mm (4 1/2" Super Single) | 984948 | — A9320 | Page 4 Page 5 |



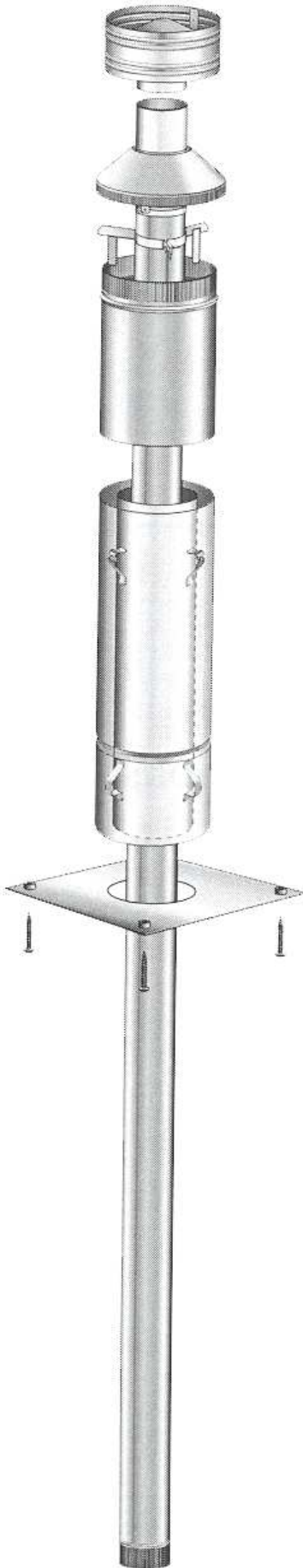


THERMOSTAT - Europe Only





| Item No's | Part No's Nov 2000 | Description | Qty |
|------------------------|-----------------------|---|-----|
| 1 | 984022 | Handle | 1 |
| 2 | 984001 | Damper (external flue) - 100mm | 1 |
| 2a | 984095 | Damper (internal flue) - 115mm | 1 |
| 3 | 984002 | Plate, Hot - 230mm Dia | 1 |
| 4 | 501598 | Screw, Set M8 x 25 | 8 |
| 5 | 984150 | Chamber, Flue (internal) | 1 |
| 6 | 501602 | Nut, M8 | 4 |
| 7 | 584041 | Pin, Hinge | 1 |
| 8 | 984087 | Bracket, Hinge | 8 |
| 10 | 984754 | Door, Top (UK) | 1 |
| 10a | 984006 | Door, Top (NZ/AUST) - 1999 onwards | 1 |
| 11 | 984007 | Vent, Round Draught | 1 |
| 12 | 501907 | Screw, M6 x 20 RH (Obsolete) | 3 |
| 12a | 501906 | Screw, M6 x 20 CSK (Obsolete) | 2 |
| 13 | 501683 | Locknut, M6 (Obsolete) | 2 |
| 14 | 501682 | Nut, M6 | 1 |
| 15 | 984099 | Belly, Top (with lugs) | 1 |
| 16 | 984047 | Belly, Bottom (with lugs) drilled for Water Coil | 1 |
| 16a | 984088 | Belly, Bottom (without lugs) drilled for Water Coil | 1 |
| 17 | 584065 | Nut, Backing 25mm BSP (Obsolete) | 2 |
| 18 | 984242 | Coil Assembly, Heating (Includes 17) | 1 |
| 19 | 984405 | Handle, Grate | 1 |
| 20 | 984086 | Grate - 210mm | 1 |
| 20a | 984012 | Handle & Grate (1 Unit) - 215mm | 1 |
| 21 | 984152 | Pan, Ash & Base | 1 |
| 22 | 984011 | Base, Plate Draught (Obsolete) | 1 |
| 23 | 984151 | Base, Door | 1 |
| 23a | 984169 | Seal-Fibre (Obsolete) | 1 |
| 24 | 984013 | Knob (Obsolete) | 1 |
| 25 | 984015 | Leg | 4 |
| 27 | 500848 | Washer, 3/16" | 1 |
| 28 | 584162 | Pin, Flap Hinge | 1 |
| 29 | 984066 | Box, Ash | 1 |
| 30 | 984164 | Lever, Thermostat (Obsolete) | 1 |
| 31 | 584167 | Coil, Damper Control (Obsolete) | 1 |
| 32 | 502168 | Nut, M4 | 2 |
| 33 | 584159 | Spring, Coil Tension (Obsolete) | 1 |
| 34 | 584166 | Chain, Long 44mm (Obsolete) | 1 |
| 35 | 984160 | Flap, Damper | 1 |
| 36 | 502167 | Screw, M4 x 6 | 2 |
| 37 | 502124 | Attachment, Ball Chain (Obsolete) | 2 |
| 38 | 984163 | Bracket (Obsolete) | 1 |
| 39 | 502125 | Locknut, M5 | 1 |
| 40 | 501662 | Screw, M6 x 12 (Obsolete) | 1 |
| 41 | 984170 | Control Assy, Steadiheat (Obsolete) | 1 |
| NOT ILLUSTRATED | | | |
| | 584155 | Operating Instructions | 1 |
| | 585858 | Installation Instructions | 1 |
| | 984090 | Plug Assembly | 1 |
| NOTE: | | Replacement doors are not drilled at factory - but must be drilled & fitted by dealer or owner. | |



Flue Kit - 120mm Dia

NZ ONLY

(to suit: Yukon, Klondike, Oregon, **Pittsburgh**, Fatso)

Contains:

- 3 x 1200mm lengths Stainless Steel Flue
- 1 x 1200mm length Outer Heat Shield
- 1 x 1200mm length Inner Shield
- 1 x Anti Down Draught Cowl
- 1 x Casing Cover
- 1 x top & 1 x bottom Flue Spacer Bracket
- 1 x Ceiling Plate
- 1 x Packet screws & Ceramic Spacers

Note: Flue Reflector is required for standard installations

Part No: 984948



120mm (4 1/2" Super Single)

AUST ONLY

(to suit: Yukon, Klondike, Oregon, **Pittsburgh**, Fatso)

Contains:

- 4 4.5" x 900mm Stainless Steel Flue Lengths
- 1 4.5" x 900mm Stainless Steel Starter Flue
- 3 8.25" x 900mm Galvanised Flue Lengths
- 1 4.5" - 8.25" Cowl
- 1 4.5" Ceiling Cowl
- 2 Support Angles

Note: Flue Reflector is required for standard installations
(not supplied with kit)

Part No: A9320