

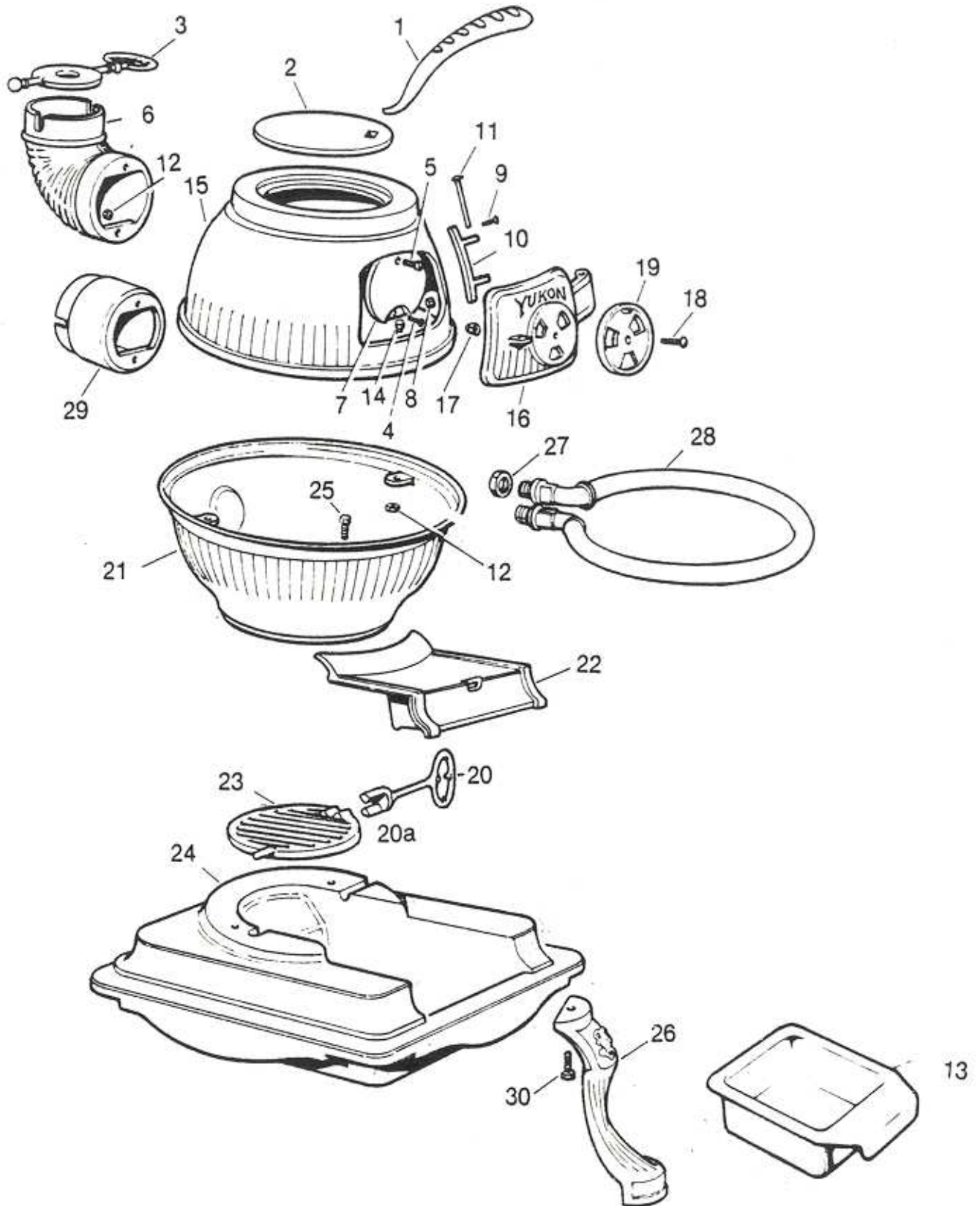
Masport®

POT BELLY STOVES

YUKON

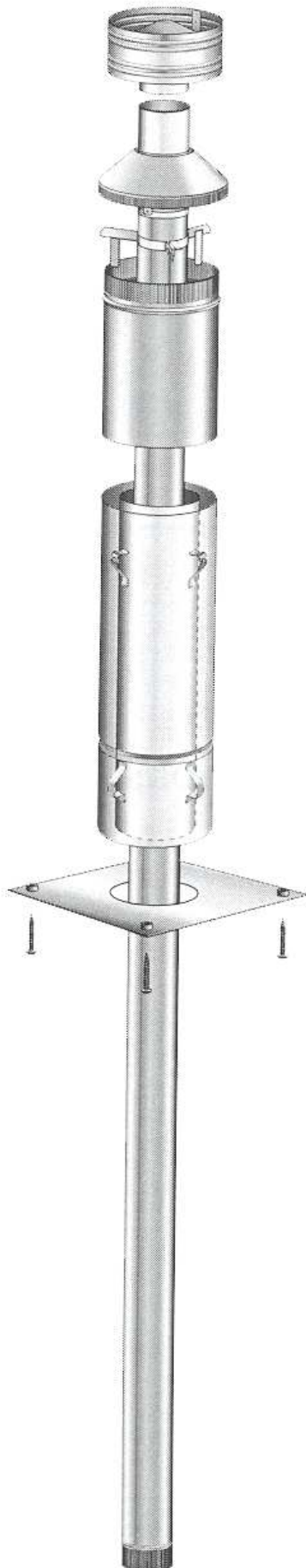
		NZ	AUST	
Part Number	Yukon	984924	984924	Page 2
Flues	Flue Kit - 120mm Dia	984948	_____	Page 4
	120mm (4 1/2" Super Single)	_____	A9320	Page 5







Item No's	Part No's Nov 2000	Description	Qty
1	984022	Handle	1
2	984102	Plate, Hot - 155mm Dia	1
3	984001	Damper (external flue) - 100mm	1
4	502001	Screw, 1/4" Whit	1
5	502001	Screw, 1/4" Whit	1
6	984203	Elbow, Flue	1
7	984216	Baffle, Lift Out	1
8	501682	Nut, M6	2
9	501907	Screw, M6 x 20 (Obsolete)	2
10	984201	Bracket, Hinge	1
11	584041	Pin, Hinge	1
12	501664	Nut, 1/14" Whit S/S (Obsolete)	2
13	984226	Box, Ash - Small	1
14	501598	Screw, M8 x 25	2
15	984234	Belly, Top drilled for water coil	
16	984206	Door, Top	1
17	501683	Nut, Locking M6	1
18	501907	Screw, M6 x 20 RH (Obsolete)	1
19	984207	Top, Door Draught	1
20	984405	Handle, Grate	1
20a	984212	Handle & Grate (1 Unit) - 150mm	1
21	984211	Belly, Bottom drilled for water coil	1
22	984210	Plate, Bottom Draught	1
23	984404	Grate - 150mmx	1
24	984214	Pan, Ash	1
25	501598	Screw, Set M8 x 25	4
26	984215	Leg	4
27	584034	Nut, Backing (Obsolete)	2
28	984244	Kit, Water Coil SM (Incl. 27)	1
29	984209	Socket, Flue	1
30	501571	Screw, Set M8 x 16	4
NOTILLUSTRATED			
	584218	Operating Instructions	1
	585858	Installation Instructions	1
	984229	Plug Assembly	1
NOTE:		Replacement doors are not drilled at factory - but must be drilled & fitted by dealer or owner.	



Flue Kit - 120mm Dia

NZ ONLY

(to suit: **Yukon**, Klondike, Oregon, Pittsburgh, Fatso)

Contains:

- 3 x 1200mm lengths Stainless Steel Flue
- 1 x 1200mm length Outer Heat Shield
- 1 x 1200mm length Inner Shield
- 1 x Anti Down Draught Cowl
- 1 x Casing Cover
- 1 x top & 1 x bottom Flue Spacer Bracket
- 1 x Ceiling Plate
- 1 x Packet screws & Ceramic Spacers

Note: Flue Reflector is required for standard installations

Part No: 984948



120mm (4 1/2" Super Single)

AUST ONLY

(to suit: **Yukon**, Klondike, Oregon, Pittsburgh, Fatso)

Contains:

- 4 4.5" x 900mm Stainless Steel Flue Lengths
- 1 4.5" x 900mm Stainless Steel Starter Flue
- 3 8.25" x 900mm Galvanised Flue Lengths
- 1 4.5" - 8.25" Cowl
- 1 4.5" Ceiling Cowl
- 2 Support Angles

Note: Flue Reflector is required for standard installations
(not supplied with kit)

Part No: A9320